

SkyTracker STX1 – 1 Beam Searchlight



Single-headed units providing the same circular motion as the four headed units. As with the STX4, the STX1 units are available in 2000, 4000, and 7000 watt configurations and are able to meet the challenge of any promotional event requirements.

Leading edge Xenon Technology

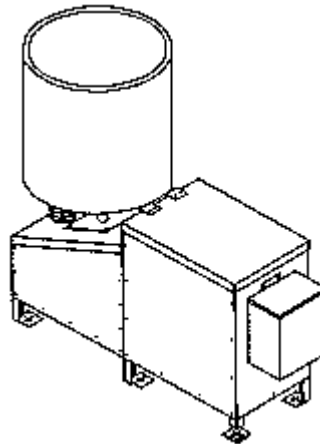
Nickel based rhodium plated reflector

5600° kelvin color temperature

Focusable beam

Available in:

- 2000 watt (2kw)
- 4000 watt (4kw)
- 7000 watt (7kw)



Sky-Tracker STX1s are full motion one headed searchlights which project a beam that can be seen for several miles. It moves in an attention getting circular motion pattern due to STA's patented bent shaft. The sweeping beam not only adds motion and excitement to an event or lighting effect but also pin points the location of the event.

Sky-Tracker STX1s are available in 2KW, 4KW, and 7KW configurations. Every Sky-Tracker product incorporates STA designed and manufactured high efficiency electroformed reflective optics.

Sky-Tracker STX1s come completely assembled with lamphed, lamphed motion assembly, and power supply in a rain proof housing.

Sky-Tracker STX1s are available in a number of assembly configurations which can be matched to the needs of any installation requirement. STX1A versions are configured as a complete unit housing both power supply and lamphed. STX1C versions consist of a lamphed assembly separated from the power supply. STX1B versions are similar to STX1Cs with the exception of factory supplied 12 foot interconnection cables and manual controls. STX1s can be configured with an optional menu driven control system. This system offers users the ability to control the speed and position of the lamphed anywhere along its fixed rotational pattern.

STX1 Sky-Tracker Unit	STX1-2000			STX1-4000			STX1-7000		
Rotation Pattern	Each beam moves in a conical motion about a axis tilted 22.5° from the vertical. Solid angle of the cone is 45°. Four beams are synchronized, ceating a clover pattern.								
Peak Beam Candle Power	208 Million			332 Million			600 Million		
Dimensions	A*	B</TD	C	A*	B</TD	C	A*	B</TD	C
Width (W)		25.19"	23.88"		25.19"	23.88"		41.38"	32.25"
Length (L)		23.38"	23.38"		23.38"	23.38"		23.38"	23.38"
Height (H)		55.62"	55.62"		55.62"	55.62"		61.25"	61.25"
Mounting Pattern		20.25 x 12.75"	20.75 x 12.75"		20.25 x 12.75"	20.25 x 12.75"		28.5 x 18"	28.5 x 18"
Weight	165 lbs	165 lbs	165 lbs	170 lbs	170 lbs	170 lbs	350 lbs	350 lbs	350 lbs
*Please see below for total dimensions of the A series Units									
Power Supply	STX1-2000			STX1-4000			STX1-7000		
Phase and Frequency	3 Phase 60 Hz			3 Phase 60 Hz			3 Phase 60 Hz		
System Input Voltage	208/237 VAC			208/237 VAC			208/240/380 VAC		
System Input Current	25/22 amps max			28/24 amps max			35/30/20 amps max		
Dimensions	A*	B	C	A*	B	C	A*	B	C
Width (W)	54.25"	25.25"	30.50"	54.25"	25.25"	30.50"	61.25"	33.50"	39.00"
Length (L)	23.38"	16.60"	16.60"	23.38"	16.60"	16.60"	60.75"	21.75"	21.98"
Height (H)	55.62"	30.12"	30.12"	55.62"	30.12"	30.12"	23.38"	28.12"	28.12"
Mounting Pattern	44.12 x 12.75"	20.25 x 12.75"	20.75 x 12.75"	44.12 x 12.75"	20.25 x 12.75"	20.25 x 12.75"	28.5 x 18"	28.5 x 18"	28.5 x 18"

Weight	270 lbs	270 lbs	280 lbs	280 lbs	280 lbs	290 lbs	305 lbs	305 lbs	305 lbs
Total Weight	435 lbs	435 lbs	445 lbs	450 lbs	450 lbs	460 lbs	655 lbs	655 lbs	655 lbs

Options

- Extension Cables

- Road Cases